



Skyco Shading Systems, Inc.

506A2 1 002562
506A2 RH 1 002564



Radio Technology Somfy® (RTS) allows for wireless radio control of motorized window coverings via the RTS family of controls.

Technical Features

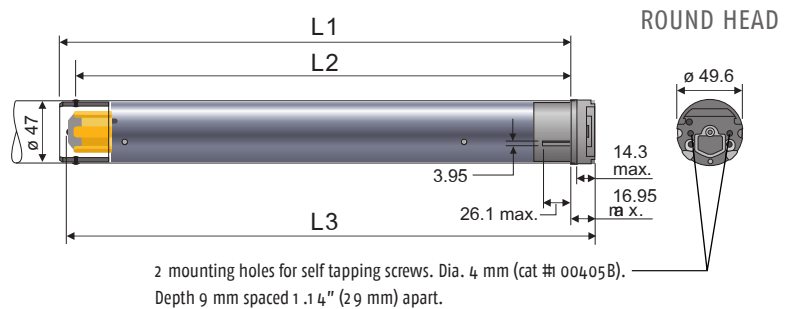
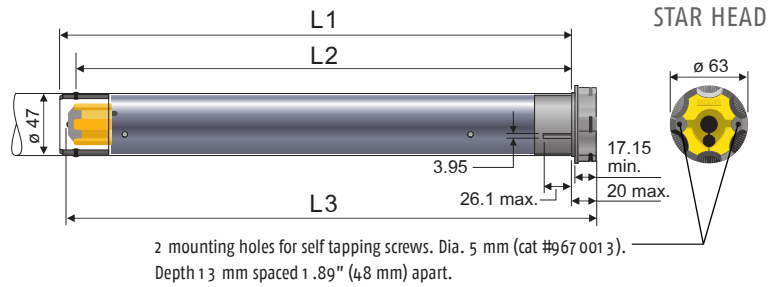
Voltage Supply	120V AC, 60Hz
Index Protection Rating	IP 31 (interior use)
Limit Switch Type	Electronic RTS
Limit Switch Capacity	250 Turns
Temperature Working Range	32°F to 140°F (0°C to 60°C) (Interior use only)
Insulation Class	Class 1 for 120V AC
Antenna	Integrated into power cord. Power cord must be at least 12 inches and must not come in contact with metal.
Wiring	Parallel wiring allowed in accordance with NEC and local electrical codes.

Specifications

Torque	6 Nm
* Minimum Torque	0.4 Nm
Nominal Voltage	120V / 60Hz
Rated Current	.95A
Speed	24 rpm
Thermal Protection	4 minutes
Radio Frequency	433.42 MHz
** Sound Level	≤ 38 dBA



Dimensions



Dimensions

L1	31.8 in (808 mm)
L2	31.3 in (795 mm)
L3	SH 32.4 in (823 mm) RH 32.3 in (820 mm)
SJTW Power Cable Length	9.8ft (3 m)

Optional cables with NEMA plugs available in 3 ft, 6 ft, 12 ft, 18 ft, 24 ft.

* Minimum Torque: Minimum application weight to ensure smooth operation.

** Sound Level: According to standards ISO 3741 NF 31 022 in dBA ref 1 pW at nominal torque without end product.

Fabrication Recommendations:

- Operational noise level is reduced when motor, tube, and mechanical accessories are properly adapted to motorized applications.
- Free play must be minimized between the accessories and the end product tube to ensure quiet performance of the motor. Due to the variances of standard aluminum extrusion tolerances, it is recommended to screw the drive wheel & pin end to immobilize them and ensure quiet performance throughout the life of the product.
- Interior Tube Diameter (ID) > 47 mm must be respected.
- A motor crown adaptor between motor and end product tube is required to ensure concentric operation of motor.
- 500 Series Drive Stop and Screw (991 0004) is recommended to prevent noise and drive wheel separation from motor shaft.
- Somfy Soft Clip Drive Wheel Adaptors (brown in color) are not recommended.

Type of power cable

